

ML232S Recessed Soap Dish

Material Specifications

- #304 Stainless Steel
- Removable Acrylic Tray

Mounting

- Recess Mount Visible Fix

Dimensions

- **Overall Size:** 160mmW x 160mmH x 72mmD
- **Wall Opening:** 140mmW x 140mmH x 51mmD

Finish

- **ML232S:** Satin Stainless Steel

Installation Guidelines

- *May be subject to Australian Building Code Regulations for able bodied and/or disabled use.*
- *Fixings and anchors are not included with the units and are the responsibility of the installer to appropriately fix the unit to the wall.*

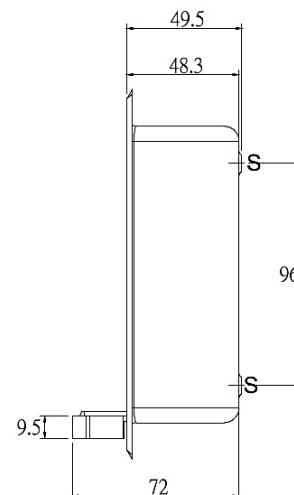
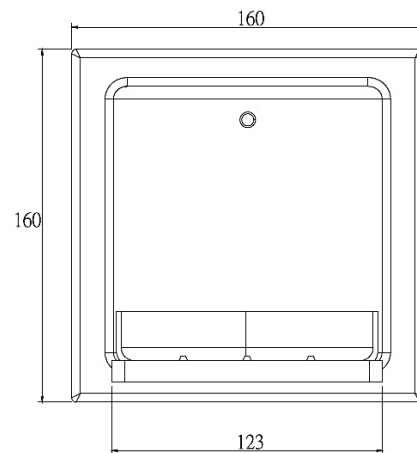
1. Create wall opening to dimensions noted. Dependent upon cavity depth to surface material, the noggin should be installed 50mm in depth from the surface being fitted for a secure fixing.
2. Mark the fixing holes on the noggin and use the appropriate screws and wall plugs to pre-screw the holes.
3. On the perimeter of the holder, place a suitable amount of an adhesive or high strength bonding agent.
4. Place the unit into the wall opening. Level the unit and push firmly so that it sits flush with outer wall section.
5. Firmly screw the holder into place and leave the adhesive to set for 24 hours before using.
 - **Note:** Apply ample silicone around the fixings to avoid water ingress.

Operation

- Removable tray allows for water to drain away, or for user to empty to prevent water build up.



*ML232S



This product is AS1428.1 compliant (accessible compliant) when installed in accordance with the guidelines.

The technical recommendations contained in this document are necessarily of a general nature and should not be relied on for specific applications without first securing competent advice. Whilst Metlam Australia Pty Ltd has taken all reasonable steps to ensure the information contained herein is accurate and current, it does not warrant the accuracy or completeness of the information and does not accept liability for errors or omissions. Any Commercial product should only be installed by a competent tradesperson and serviced/maintained by knowledgeable janitorial staff or competent people. Metlam Australia accepts no responsibility for any damage to product, walls or fixtures due to incorrect installation or maintenance of any of their products.

The photographs and line drawings of the products presented above are representational only.
Metlam Australia Pty Ltd reserves the right to, and from time to time, make changes and improvements in design and dimensions.